

## DIRECTIONS TO THE SITE

- \*From the north: I-295 south or NJ Turnpike South, take the last eSit before the Delaware Memorial Bridge and get on Rte 49 East.
  - \*From the south, cross the Delaware Memorial Bridge and take the first eSit in NJ for Rte 49 East.
  - \*Once on 49 East, you will travel about 3 miles, then turn right onto Fort Mott Road (at a light). Go 3 miles on Ft. Mott road and turn into the park at the first visitor entrance.
- Give yourself eStra time to get here due to shore traffic.

## MOTELS

- Rodeway Inn (302) 328-6246 \* 111 S Dupont Hwy, New Castle, DE  
(9.7 miles from Pennsville) \$10 dog fee?
- White Oaks Motor Lodge (856) 299-3633 \* 591 N Hook Rd, Pennsville,  
NJ \$10 per dog room fee

## TRIAL SITE

Bring your own shade and water

## FOOD

There are several fast food restaurants nearby. HOWEVER we will have food available on the site for a donation! Think Pizza! Hot Drinks in the AM

---

First Class Mail

Irene Matusz  
504 N Paradise Rd,  
Aberdeen, MD 21001-1115

## Premium List

NO entries will be taken by telephone or email  
Entries close at 6 pm on Wednesday, Mar 20, 2019 at the FTS's address  
Day of Trial entries close 30 minutes prior to roll call.

# JERSEY RAG RACERS WHIPPET ASSOCIATION



## All Breed

## ASFA Lure Field Trial - Region 8

ASFA

Saturday, Mar 23, 2019 & Sunday Mar 24, 2019

Ft Mott, NJ

Trial hours 8:00 a.m. until completion

Early entry fees are \$18 for the first, \$15 for the second  
& \$12 for the rest-same owner

Day of Trial entry fees are \$25

\$5.00 fee for ASFA certifying runs following trial

Permission has been granted by the American Sighthound Field Association  
for the holding of this event under  
The American Sighthound Field Association Rules and Regulations  
Audrey Silverstein, Chairperson ASFA Scheduling Committee

## STAKES OFFERED

**OPEN STAKE:** Any eligible sighthound that has met hound certification requirements including ASFA Field Champions of record.

**FIELD CHAMPION STAKE:** Any ASFA Field Champion.

**VETERAN STAKE:** Any eligible sighthound that has met certification requirements and whose age exceeds six years, except Irish Wolfhounds, whose age shall exceed five years, and Afgans, Rhodesian Ridgebacks, Salukis and Whippets, whose age shall exceed seven years. Points go to V-FCh or V-LCM titles

**LIMITED STAKE:** Any eligible sighthound of a Limited stake breed that has met certification requirements.

**SINGLES STAKE:** Any eligible sighthound including those disqualified to run in other stakes. Each hound runs alone. Not eligible for Best of Breed or Best in Field. Hounds are eligible to earn TCP and CPS titles from the Singles stake. Limited breeds are not eligible for these titles.

**LURE CHASING INSTINCT STAKE:** Open to all breeds. All entries shall be individually registered with the AKC (including ILP & PAL), the UKC, the FCI, an ASFA- recognized foreign or ASFA Board approved registry, or possess a CRN from the SPDBS. A photocopy of acceptable registry must be submitted with each dog's first ASFA field trial entry. Dogs without a recognized registry number may obtain an ASFA ID number for a \$10 registration fee at time of entry.

This stake will be limited to a total of 20 entries.

Size 1 is for dogs shorter than 12 inches at the withers and / or brachycephalic ("flat-faced") dogs.

Size 2 is for all dogs over 18 inches at the withers.

Size 1 will run 50% of the course as laid out in this premium up to a maximum of 400 yards. All other sizes will run the full course length.

### Conditions of Entry

β Hounds must be one year of age on the day of trial and will be examined for breed disqualifications - spayed, neutered, monorchid & cryptorchid hounds may be entered. β Hounds not present at time of roll call will be scratched. β Bitches in season, hounds with breed disqualifications and lame hounds will be excused. β Hounds with breed disqualifications are not eligible to enter except in the Single Stake β Stakes will be split if the entry in any one stake is 20 or more at the time of the draw. β All hounds will run twice, in trios if possible or braces, unless excused, dismissed or disqualified (except in the Single Stake). β Battery powered continuous loop system will be used. β Lure will consist of white plastic strips and/or fur. β Muzzles are not required but are allowed. β A penalty of \$5.00 will be assessed for any loose hound not competing in a course in progress & for any one not cleaning up after their hound. β Any person may, upon reasonable request, be asked to leave the grounds of the field trial by the Field Trial Committee. β Hound Certification and Practice after the trial, time and equipment permitting. β As of Jan 1, 2003, any hound entered in a trial, must have a COPY of the hound's registration papers to send in with the entry. This is true if the hound is entered in Open, Veterans, Singles or Limited for the first time. β JRRWA assumes no liability for injury to any hound or person, before, during or after the event. β Checks must be in U.S. Funds drawn on U.S. Banks. β There will be a \$50 fee assessed for any returned checks

### Officers of JRRWA

President: Alice Mark

Vice President: John Huff

Directors: Jim Campo, Libby Kirchner, Carol Huff, Jen,

Secretary: Linda Campo

Treasurer: Irene Matusz

### Judges and Assignments

Don Ewing	31 Kaitlyn Dr, Hanover, PA 17331	*=Provisional
Sally Fineberg	`8 Anne Marie Ln, Tiusville, NJ 08560	
Bob Marciszewski	11330 Glen Arm Rd, Glen Arm, MD 21057	

Saturday	AH	AZ	BA	BZ	C	GH	IB	IG	IW	P	RR	SA	SL	SD	SW	W	L	S	LCI
Ewing	—	—	—	—	—	—	—	—	—	—	S	S	S	S	S	S	S	S	—
Fineberg	S	S	S	S	S	S	S	S	S	S	—	—	—	—	—	—	—	—	S

Sunday	AH	AZ	BA	BZ	C	GH	IB	IG	IW	P	RR	SA	SL	SD	SW	W	L	S	LCI
Ewing	S	S	S	S	S	S	S	S	S	S	—	—	—	—	—	—	—	—	—
Fineberg	—	—	—	—	—	—	—	—	—	—	S	S	S	S	S	S	S	—	—
Marciszewski	—	—	—	—	—	—	—	—	—	—	—	—	—	—	—	—	—	S	S

### FIELD COMMITTEE:

Chairman: John Huff

Secretary: Irene Matusz

Field Clerks: Irene Matusz, Lois Obelcz

Lure Operators: Tom Smith, Mary Lou Rosseli, P. Obelcz

Huntmasters: Alice Mark, J. Campo

Inspection Committee: Alice Mark, Carol Huff, Irene Matusz cell 1-717-855-6209 NO VOICE MAIL

Trial Hours: 8:00 a.m. until completed

Roll Call: 8:30 a.m.

Lure Chasing Instinct entries will be limited to 20 entries total per day

Entries will not be acknowledged by mail or phone

### Ribbons and Trophies

1st - blue rosette, 2nd - red rosette, 3rd - yellow rosette, 4th - white rosette, NBQ - green rosette,

BOB - purple & gold rosette, H.S. Single - navy & gold, BIF - red, white & blue

Trophies donated by the JRRWA will be awarded for BOB in each breed and for 1st through NBQ in each stake of Whippets.

### ELIGIBLE BREEDS & REGISTRY

Only purebred Afghan Hounds, Azawakhs, Basenjis, Borzoi, Cirneco dell'Etna, Greyhounds, Ibizan Hounds, Irish Wolfhounds, Italian Greyhounds, Pharaoh Hounds, Rhodesian Ridgebacks, Salukis, Scottish Deerhounds, Sloughis, Silken Windhound, and Whippets may be entered in the regular stakes.

Limited breeds may be entered in the Limited Stake or the Singles Stake. Limited breeds currently include purebred Chart Polski, Galgo Español, Magyar Agar, Peruvian Inca Orchid, Portuguese Podengo (Pequeno), Portuguese Podengo (Medio & Grande), and must be individually registered with the appropriate registry.

All entries shall be individually registered with the AKC (including ILP & PAL), the NGA, the UKC, the FCI, an ASFA-recognized foreign or ASFA Board approved registry, or possess a CRN from the SPDBS. A photocopy of acceptable registry must be submitted with each hound's first ASFA field trial entry; this requirement is waived for hounds registered with the NGA.

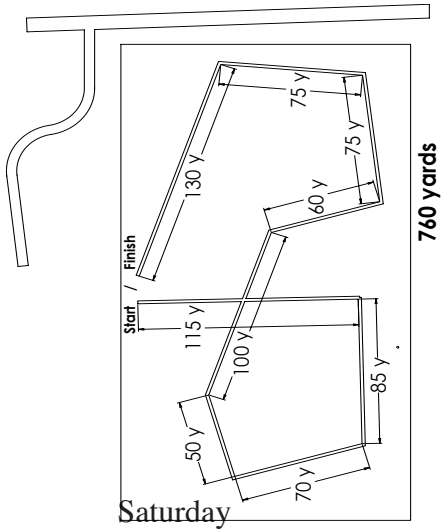
ALL Lure Chasing Instinct entries shall be individually registered with the AKC (including ILP & PAL), the UKC, the FCI, an ASFA-recognized foreign or ASFA Board approved registry, or possess a CRN from the SPDBS. A photocopy of acceptable registry must be submitted with each hound's first ASFA field trial entry. Dogs without a registration number may apply for a special ASFA entry number with a one-time \$10 fee.

Vet on call: Veterinary Emergency Ctr Of DE  
1212 E Newport Pike, Wilmington, DE 19804 (302) 691-3647

β PLEASE CLEAN UP AFTER YOUR DOGS AND YOUR PARKING SITES β

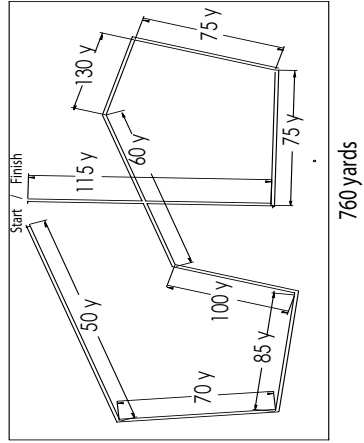
# COURSE PLAN

β Course will be reversed for finals, run-offs, and BOB. β JRRWA reserves the right to alter course plans due to weather and/or field conditions on the day of the trial. β The field is not fenced



Saturday

760 yards



760 yards

Sunday

**AMERICAN SIGHTHOUND FIELD ASSOCIATION  
HOUND CERTIFICATION**

**Rule effective October 1, 1994: Ch. V, Sec. 4 (a) OPEN STAKE:** *To be eligible to enter the open stake, a hound must have been certified by a licensed judge within the year preceding the closing date for the entry or have previously competed in the Open Stake.* This eligibility requirement also applies to a hound entered in the Limited or Veteran Stake, which has not competed in Open previously. Please complete this portion of this form and attach it to the entry form for the hound's first entry, including an entry for a Fun Trial.

Registered Name of Hound: \_\_\_\_\_

Registration Number: \_\_\_\_\_ Breed: \_\_\_\_\_

Registered Owner's Name: \_\_\_\_\_

I hereby certify that on (date) \_\_\_\_\_, the above named hound completed a lure course of at least 500 yards, running with another hound of the same breed (or another breed with a similar running style). During the course the above named hound showed no inclination to interfere with the other hound. I further certify that I am a licensed judge for the ASFA.

Name of Licensed Judge: \_\_\_\_\_

Signature: \_\_\_\_\_ Date: \_\_\_\_\_

I hereby certify that the hound running in the certification course is the hound identified above and that information provided on this form is true and correct.

Signature: \_\_\_\_\_ Date: \_\_\_\_\_

Owner or Authorized Agent of Hound

This certification form must be attached to the entry form the first time this hound is entered in an open, limited, or veteran stake. Any hound entered in open, limited, or veteran (as a first time entered hound), which has not been certified, shall be declared ineligible by the records coordinator and shall forfeit any points and placements awarded.

**PLEASE RETAIN A COPY FOR YOUR RECORDS.**

**AMERICAN SIGHTHOUND FIELD ASSOCIATION  
HOUND CERTIFICATION WAIVER**

**Waiver of Requirement:** *This requirement will be waived for a hound that has earned a lure coursing or racing title from another recognized organization, if such title requires competition, and if a waiver for such title has been approved by the ASFA, or a CKC Hound Certification Form.* If your hound qualifies for a waiver, complete this portion of this form and attach it to your entry form. Proof of waivers must accompany this certification form.

Registered Name of Hound: \_\_\_\_\_

Registration Number: \_\_\_\_\_ Breed: \_\_\_\_\_

Registered Owner's Name: \_\_\_\_\_

**CKC:** FCH FCHX

**AKC:** QC SC FC

Hound Certification previously submitted.

I hereby certify that the hound identified above has completed the requirements for the title indicated above (or that the required Certification was previously submitted) and that the information provided on this form is true and correct.

Signature: \_\_\_\_\_ Date: \_\_\_\_\_

Owner or Authorized Agent of Hound

**AMERICAN SIGHTHOUND FIELD ASSOCIATION  
HOUND CERTIFICATION**

**Rule effective October 1, 1994: Ch. V, Sec. 4 (a) OPEN STAKE:** *To be eligible to enter the open stake, a hound must have been certified by a licensed judge within the year preceding the closing date for the entry or have previously competed in the Open Stake.* This eligibility requirement also applies to a hound entered in the Limited or Veteran Stake, which has not competed in Open previously. Please complete this portion of this form and attach it to the entry form for the hound's first entry, including an entry for a Fun Trial.

Registered Name of Hound: \_\_\_\_\_

Registration Number: \_\_\_\_\_ Breed: \_\_\_\_\_

Registered Owner's Name: \_\_\_\_\_

I hereby certify that on (date) \_\_\_\_\_, the above named hound completed a lure course of at least 500 yards, running with another hound of the same breed (or another breed with a similar running style). During the course the above named hound showed no inclination to interfere with the other hound. I further certify that I am a licensed judge for the ASFA.

Name of Licensed Judge: \_\_\_\_\_

Signature: \_\_\_\_\_ Date: \_\_\_\_\_

I hereby certify that the hound running in the certification course is the hound identified above and that information provided on this form is true and correct.

Signature: \_\_\_\_\_ Date: \_\_\_\_\_

Owner or Authorized Agent of Hound

This certification form must be attached to the entry form the first time this hound is entered in an open, limited, or veteran stake. Any hound entered in open, limited, or veteran (as a first time entered hound), which has not been certified, shall be declared ineligible by the records coordinator and shall forfeit any points and placements awarded.

**PLEASE RETAIN A COPY FOR YOUR RECORDS.**

**AMERICAN SIGHTHOUND FIELD ASSOCIATION  
HOUND CERTIFICATION WAIVER**

**Waiver of Requirement:** *This requirement will be waived for a hound that has earned a lure coursing or racing title from another recognized organization, if such title requires competition, and if a waiver for such title has been approved by the ASFA, or a CKC Hound Certification Form.* If your hound qualifies for a waiver, complete this portion of this form and attach it to your entry form. Proof of waivers must accompany this certification form.

Registered Name of Hound: \_\_\_\_\_

Registration Number: \_\_\_\_\_ Breed: \_\_\_\_\_

Registered Owner's Name: \_\_\_\_\_

**CKC:** FCH FCHX

**AKC:** QC SC FC

Hound Certification previously submitted.

I hereby certify that the hound identified above has completed the requirements for the title indicated above (or that the required Certification was previously submitted) and that the information provided on this form is true and correct.

Signature: \_\_\_\_\_ Date: \_\_\_\_\_

Owner or Authorized Agent of Hound

**OFFICIAL AMERICAN SIGHTHOUND FIELD ASSOCIATION ENTRY FORM  
 JERSEY RAG RACERS WHIPPET ASSOCIATION ASFA LURE FIELD TRIAL**

Ft Mott, NJ Saturday, Mar 24, 2018

Entries: \$18 first hound, \$15 second hound, \$12 additional hounds same owner Entries close Wednesday Mar 21, 2018 at FTS home at 6 PM Day of Trial Entries \$25.00, close 30 minutes before roll call Make checks payable in US funds only to: Jersey Rag Racers Whippet Asso. Inc.

**MAIL ENTRIES TO:** Irene Matusz, 504 N Paradise Rd, Aberdeen, MD 21001-1115

Fee Paid \_\_\_\_\_ The Field Secretary cannot accept conditional, unsigned, incomplete or unpaid entries; please check your completed entry carefully.

Breed:		Call Name:	
Registered Name of Hound:			
Stake: <input type="checkbox"/> Open <input type="checkbox"/> FCH <input type="checkbox"/> Veteran <input type="checkbox"/> Single <input type="checkbox"/> Limited		Additional Stakes <input type="checkbox"/> Kennel <input type="checkbox"/> Breeder <input type="checkbox"/> Bench	
<b>Registration Number:</b> (please write in registering body before number)			
<input type="checkbox"/> If possible, please separate my hounds	Date of Birth:	Sex: <input type="checkbox"/> Dog <input type="checkbox"/> Bitch	
Name of actual owner(s):			
Address:		Phone:	
City:	State:	Zip:	
E-mail (Optional)		(Optional) Region of Residence:	
Emergency Contact Name and Phone (Optional)			
<input type="checkbox"/> <b>Check if this is the first ASFA trial for this hound. Attach a Hound Certification or waiver if entered in Open, Veterans, Limited.</b>			
<input type="checkbox"/> <b>Check if this is a first-time entry, a copy of the official Registration of this hound must accompany this entry unless NGA.</b>			
<input type="checkbox"/> Check if any information has changed since the last ASFA trial entry. Regarding _____			
<input type="checkbox"/> Check if this hound has been dismissed within the last 6 trials entered. Must be marked in order to qualify for a "clean" trial requirement.			

I CERTIFY that I am the actual owner of this dog, or that I am the duly authorized agent of the actual owner whose name I have entered above. In consideration of the acceptance of this entry and the opportunity to have this dog judged and to win prize money, ribbons, or trophies, I (we) agree to abide by the rules and regulations of the American Sighthound Field Association in effect at the time of this lure field trial, and by any additional rules and regulations appearing in the premium list for this lure field trial. I (we) agree that the club holding this lure field trial has the right to refuse this entry for cause, which the club shall deem to be sufficient. I (we) agree to hold this club, its members, directors, governors, officers, agents or other functionaries, any employees of the aforementioned parties and the owner(s) of the trial premises or grounds harmless from any claim for loss or injury which may be alleged to have been caused directly or indirectly to any person or thing by the act of this dog while in or upon the lure field trial premises or grounds or near any entrance thereto and I (we) personally assume all responsibility and liability for any such claim, and I (we) further agree to hold the aforementioned parties harmless from any claim loss of this dog by disappearance, theft damage or injury be caused or alleged to be caused by the negligence of the club or any of the aforementioned parties or by the negligence of any person or any other cause or causes. I (we) certify and represent that the dog entered is not a hazard to person or other dogs. This entry is submitted for acceptance of the forgoing representations and agreements.

**SIGNATURE** of owner or his agent  
 duly authorized to make this entry \_\_\_\_\_

**Please separate the entries before submitting to FTS.**

**OFFICIAL AMERICAN SIGHTHOUND FIELD ASSOCIATION ENTRY FORM  
 JERSEY RAG RACERS WHIPPET ASSOCIATION ASFA LURE FIELD TRIAL**

Ft Mott, NJ Sunday, Mar 25, 2018

Entries: \$18 first hound, \$15 second hound, \$12 additional hounds same owner Entries close Wednesday Mar 21, 2018 at FTS home at 6 PM Day of Trial Entries \$25.00, close 30 minutes before roll call Make checks payable in US funds only to: Jersey Rag Racers Whippet Asso. Inc.

**MAIL ENTRIES TO:** Irene Matusz, 504 N Paradise Rd, Aberdeen, MD 21001-1115

Fee Paid \_\_\_\_\_ The Field Secretary cannot accept conditional, unsigned, incomplete or unpaid entries; please check your completed entry carefully.

Breed:		Call Name:	
Registered Name of Hound:			
Stake: <input type="checkbox"/> Open <input type="checkbox"/> FCH <input type="checkbox"/> Veteran <input type="checkbox"/> Single <input type="checkbox"/> Limited		Additional Stakes <input type="checkbox"/> Kennel <input type="checkbox"/> Breeder <input type="checkbox"/> Bench	
<b>Registration Number:</b> (please write in registering body before number)			
<input type="checkbox"/> If possible, please separate my hounds	Date of Birth:	Sex: <input type="checkbox"/> Dog <input type="checkbox"/> Bitch	
Name of actual owner(s):			
Address:		Phone:	
City:	State:	Zip:	
E-mail (Optional)		(Optional) Region of Residence:	
Emergency Contact Name and Phone (Optional)			
<input type="checkbox"/> <b>Check if this is the first ASFA trial for this hound. Attach a Hound Certification or waiver if entered in Open, Veterans, Limited.</b>			
<input type="checkbox"/> <b>Check if this is a first-time entry, a copy of the official Registration of this hound must accompany this entry unless NGA.</b>			
<input type="checkbox"/> Check if any information has changed since the last ASFA trial entry. Regarding _____			
<input type="checkbox"/> Check if this hound has been dismissed within the last 6 trials entered. Must be marked in order to qualify for a "clean" trial requirement.			

I CERTIFY that I am the actual owner of this dog, or that I am the duly authorized agent of the actual owner whose name I have entered above. In consideration of the acceptance of this entry and the opportunity to have this dog judged and to win prize money, ribbons, or trophies, I (we) agree to abide by the rules and regulations of the American Sighthound Field Association in effect at the time of this lure field trial, and by any additional rules and regulations appearing in the premium list for this lure field trial. I (we) agree that the club holding this lure field trial has the right to refuse this entry for cause, which the club shall deem to be sufficient. I (we) agree to hold this club, its members, directors, governors, officers, agents or other functionaries, any employees of the aforementioned parties and the owner(s) of the trial premises or grounds harmless from any claim for loss or injury which may be alleged to have been caused directly or indirectly to any person or thing by the act of this dog while in or upon the lure field trial premises or grounds or near any entrance thereto and I (we) personally assume all responsibility and liability for any such claim, and I (we) further agree to hold the aforementioned parties harmless from any claim loss of this dog by disappearance, theft damage or injury be caused or alleged to be caused by the negligence of the club or any of the aforementioned parties or by the negligence of any person or any other cause or causes. I (we) certify and represent that the dog entered is not a hazard to person or other dogs. This entry is submitted for acceptance of the forgoing representations and agreements.

**SIGNATURE** of owner or his agent  
 duly authorized to make this entry \_\_\_\_\_

**Please separate the entries before submitting to FTS.**

**Jersey Rag Racers Whippet Asso**  
**LURE CHASING INSTINCT**

Saturday March 23 2019 Ft Mott, NJ

EARLY-ENTRIES close Wednesday March 20, 2019 at 6:00 PM

Day of Trial Entries \$25.00, close 30 minutes before roll call

Make checks payable to: JRRWA Please attach (US funds only) check to signed entry form and mail to FTS: Irene Matusz 504 N Paradise Rd, Aberdeen, MD 21001-1115

Early entry: \$18 per dog. \$15 additional. Day-of-Trial Entry: \$25 per dog

Fee Paid \_\_\_\_\_ The Field Secretary cannot accept conditional, unsigned, incomplete or unpaid entries; please check your completed entry carefully.

Breed: (If known) or Mix		Call Name:	
Registered Name of Dog:			
Stake: (Choose one)	<input type="checkbox"/> Lure Chasing Instinct Stake (for dogs that do not have LCJ or LCS titles) <input type="checkbox"/> Lure Chasing Excellent Stake (only for dogs with LCJ and LCS titles)		
Height at withers (choose one class size)	<input type="checkbox"/> Small height class: under 18" or any height brachycephalic (flat-faced dogs) <input type="checkbox"/> Large height class: 18" and over		
Registration Number: (please write in registering body before number)			
<input type="checkbox"/> If possible, please separate my dogs	Date of Birth (if known):	Sex: <input type="checkbox"/> Dog <input type="checkbox"/> Bitch	
Name of actual owner(s):			
Address:		Phone:	
City:	State:	Zip:	
E-mail	(Optional) Region of Residence:		
Emergency Contact: Name and phone number (optional)			
<input type="checkbox"/> Check if this is the first ASFA Lure Chasing Instinct trial for this dog.			
<input type="checkbox"/> Check if any information has changed since the last ASFA trial entry. Regarding _____			
<input type="checkbox"/> Check if this dog has been dismissed within the last 6 trials entered. Must be marked in order to qualify for a "clean" trial requirement.			

I CERTIFY that I am the actual owner of this dog, or that I am the duly authorized agent of the actual owner whose name I have entered above. In consideration of the acceptance of this entry and the opportunity to have this dog judged and to win prize money, ribbons, or trophies, I (we) agree to abide by the rules and regulations of the American Sighthound Field Association in effect at the time of this lure field trial, and by any additional rules and regulations appearing in the premium list for this lure field trial. I (we) agree that the club holding this lure field trial has the right to refuse this entry for cause, which the club shall deem to be sufficient. I (we) agree to hold this club, its members, directors, governors, officers, agents or other functionaries, any employees of the aforementioned parties and the owner(s) of the trial premises or grounds harmless from any claim for loss or injury which may be alleged to have been caused directly or indirectly to any person or thing by the act of this dog while in or upon the lure field trial premises or grounds or near any entrance thereto and I (we) personally assume all responsibility and liability for any such claim, and I (we) further agree to hold the aforementioned parties harmless from any claim loss of this dog by disappearance, theft damage or injury be caused or alleged to be caused by the negligence of the club or any of the aforementioned parties or by the negligence of any person or any other cause or causes. I (we) certify and represent that the dog entered is not a hazard to person or other dogs. This entry is submitted for acceptance of the forgoing representations and agreements

SIGNATURE of owner or his agent duly authorized to make this entry \_\_\_\_\_

**Jersey Rag Racers Whippet Asso**  
**LURE CHASING INSTINCT**

Sunday March 24 2019 Ft Mott, NJ

EARLY-ENTRIES close Wednesday March 20, 2019 at 6:00 PM

Day of Trial Entries \$25.00, close 30 minutes before roll call

Make checks payable to: JRRWA Please attach (US funds only) check to signed entry form and mail to FTS: Irene Matusz 504 N Paradise Rd, Aberdeen, MD 21001-1115

Early entry: \$20 per dog. \$15 additional. Day-of-Trial Entry: \$25 per dog

Fee Paid \_\_\_\_\_ The Field Secretary cannot accept conditional, unsigned, incomplete or unpaid entries; please check your completed entry carefully.

Breed: (If known) or Mix		Call Name:	
Registered Name of Dog:			
Stake: (Choose one)	<input type="checkbox"/> Lure Chasing Instinct Stake (for dogs that do not have LCJ or LCS titles) <input type="checkbox"/> Lure Chasing Excellent Stake (only for dogs with LCJ and LCS titles)		
Height at withers (choose one size)	<input type="checkbox"/> Small height class: under 18" or brachycephalic (flat-faced dogs) <input type="checkbox"/> Large height class: 18" and over		
Registration Number: (please write in registering body before number)			
<input type="checkbox"/> If possible, please separate my dogs	Date of Birth (if known):	Sex: <input type="checkbox"/> Dog <input type="checkbox"/> Bitch	
Name of actual owner(s):			
Address:		Phone:	
City:	State:	Zip:	
E-mail	(Optional) Region of Residence:		
Emergency Contact: Name and phone number (optional)			
<input type="checkbox"/> Check if this is the first ASFA Lure Chasing Instinct trial for this dog.			
<input type="checkbox"/> Check if any information has changed since the last ASFA trial entry. Regarding _____			
<input type="checkbox"/> Check if this dog has been dismissed within the last 6 trials entered. Must be marked in order to qualify for a "clean" trial requirement.			

I CERTIFY that I am the actual owner of this dog, or that I am the duly authorized agent of the actual owner whose name I have entered above. In consideration of the acceptance of this entry and the opportunity to have this dog judged and to win prize money, ribbons, or trophies, I (we) agree to abide by the rules and regulations of the American Sighthound Field Association in effect at the time of this lure field trial, and by any additional rules and regulations appearing in the premium list for this lure field trial. I (we) agree that the club holding this lure field trial has the right to refuse this entry for cause, which the club shall deem to be sufficient. I (we) agree to hold this club, its members, directors, governors, officers, agents or other functionaries, any employees of the aforementioned parties and the owner(s) of the trial premises or grounds harmless from any claim for loss or injury which may be alleged to have been caused directly or indirectly to any person or thing by the act of this dog while in or upon the lure field trial premises or grounds or near any entrance thereto and I (we) personally assume all responsibility and liability for any such claim, and I (we) further agree to hold the aforementioned parties harmless from any claim loss of this dog by disappearance, theft damage or injury be caused or alleged to be caused by the negligence of the club or any of the aforementioned parties or by the negligence of any person or any other cause or causes. I (we) certify and represent that the dog entered is not a hazard to person or other dogs. This entry is submitted for acceptance of the forgoing representations and agreements

SIGNATURE of owner or his agent duly authorized to make this entry \_\_\_\_\_